

Tabouret T37 perforé *

Designed by TOLIX®

*perforated T37 stool



The new perforated stainless steel or steel T37 stool is the little brother of the perforated stainless steel T37 chair. It takes its elegance and its light appearance thanks to the use of a perforated steel for the seat.

In stainless steel version, it can be used in outdoor furniture.

Its sober design, both classic and contemporary, allows to find its place around a table or in solo use in any room of the house or on the terrace.

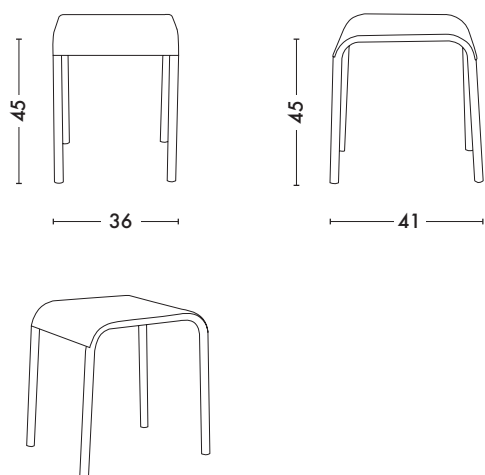
- 2 versions: steel or stainless steel
- Available in ESSENTIALS and TRENDS color charts for the steel version and ESSENTIALS, TRENDS and BRUT VERNIS color charts for the stainless steel version.

TOLIX®

Tabouret T37 perforé

Designed by TOLIX®

Product specifications



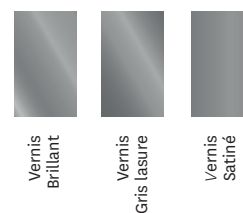
Dimensions

LENGTH	36 / 41 cm
DEPTH	36 / 41 cm
HEIGHT	45 cm
SEAT DEPTH	36 / 41 cm
SEAT WIDTH	36 / 41 cm

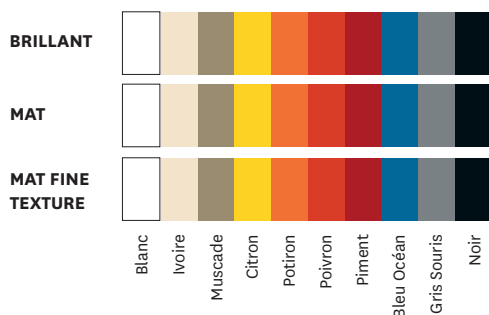
Designer	TOLIX	TOLIX
Uses	TOLIX® maison	TOLIX® outdoor
Material	Steel	Stainless Steel
Finishes / Colors	Available in the colors and finishes of the color charts ESSENTIELS and TENDANCES	Available in the colors and finishes of the color charts ESSENTIELS, TENDANCES and BRUT VERNIS
Weight	3.3 kg	3.3 kg



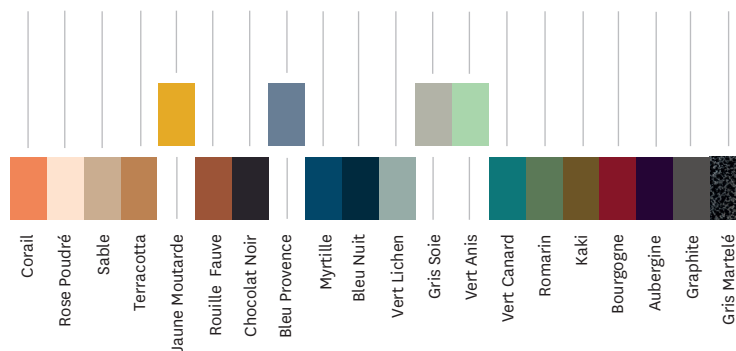
Tolix® Brut Vernis



Tolix® Essentiels



Tolix® Tendances



TOLIX®