

# Tabourets H Grand Dossier \*

Designed by Tolix®



\*H stool with backrest

***An icon of industrial esthetics for almost a century, TOLIX®'s H Stool has travelled through periods and styles and become a classic in its own right. Etched in the collective memory, it is a «living heritage» that illustrates the French art of living. For this HGD version, the stool includes a high back that very comfortably supports the entire back. Add a TOLIX® cushion for even greater comfort. Like the other TOLIX®'s H Stools, the HGD stools are available in eight different heights that change every 5cm, from 45 to 80cm. HGD Stools can also be found in a perforated version.***

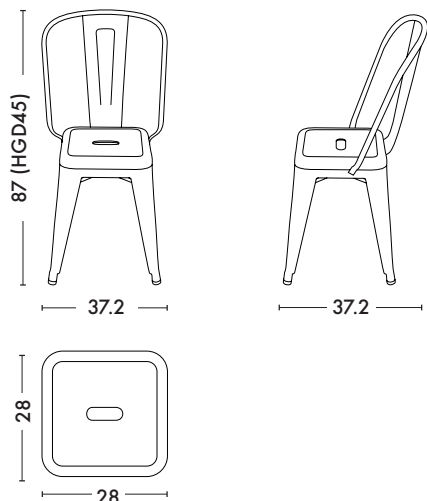
- Historical piece of the TOLIX® collection with a backrest
- Available in the color charts ESSENTIELS, TENDANCES and BRUT VERNIS
- Available in eight different sizes
- The «Tabourets H» have footrests from the size H60 to H80

**TOLIX®**

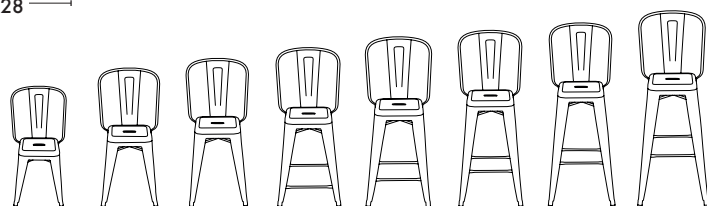
# Tabourets H Grand Dossier

Designed by Tolix®

## Product specifications

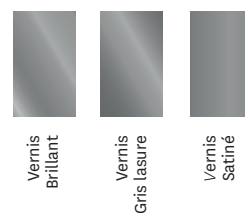


<b>Designer</b>	TOLIX®	TOLIX®
<b>Uses</b>	<b>TOLIX®</b> maison	<b>TOLIX®</b> outdoor
<b>Materials</b>	Steel	Steel with cathaphoresis treatment
<b>Finishes / Colors</b>	Available in the colors and finishes of the color charts ESSENTIELS, TENDANCES and BRUT VERNIS	Available in some of the colors of the color charts ESSENTIELS and TENDANCES

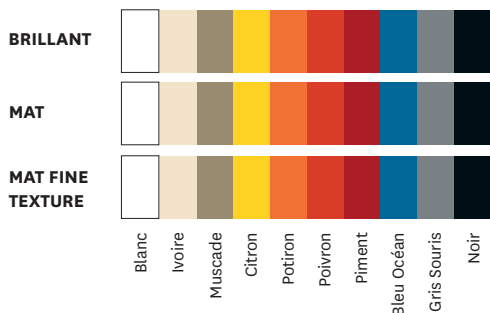


Dimensions	HGD45	HGD50	HGD55	HGD60	HGD65	HGD70	HGD75	HGD80
HEIGHT	87 cm	92 cm	95 cm	102 cm	107 cm	112 cm	115 cm	120 cm
LENGTH	37.2 cm	38 cm	39.3 cm	39.2 cm	40 cm	42 cm	43.5 cm	45 cm
DEPTH	37.2 cm	38 cm	39.3 cm	39.2 cm	40 cm	42 cm	43.5 cm	45 cm
WEIGHT	4.6 kg	4.8 kg	5.0 kg	6 kg	6.15 kg	6.3 kg	6.5 kg	6.7 kg

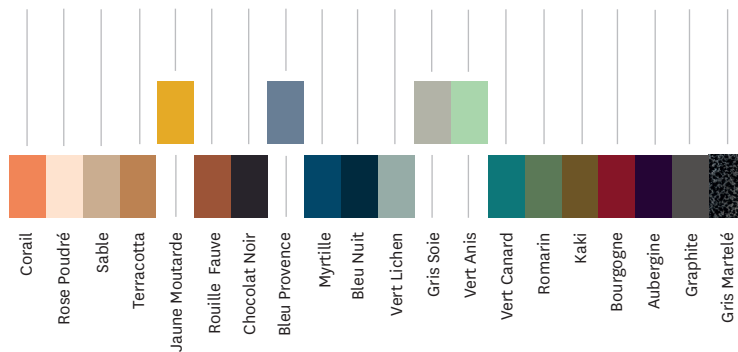
### Tolix® Brut Vernis



### Tolix® Essentiels



### Tolix® Tendances



**TOLIX®**