

# Fauteuil D\*

*Designed by Xavier Pauchard*

\*D Armchair



***In 1936, Xavier Pauchard created the chair with the widest seat in the whole range: the D Armchair. The chair's back and armrests are shaped by the interplay of conjointly welded tubes that bring to mind the finesse and detail in Art Deco metalwork. 100% steel, the D Armchair is recommended for use inside, and is available in all the colors and finishes from the TOLIX® ESSENTIELS, TENDANCES and BRUT VERNIS color charts.***

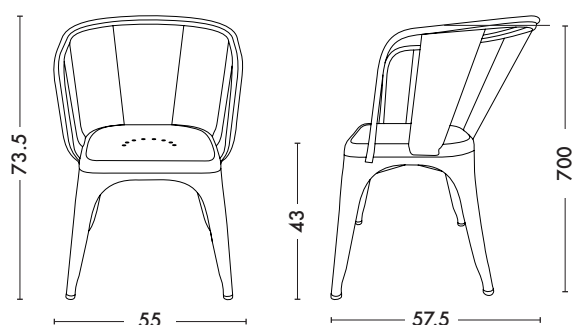
- First historical piece of the TOLIX® collection, in a perforated version
- Available in the color charts ESSENTIELS, TENDANCES and BRUT VERNIS

**TOLIX®**

# Fauteuil D

Designed by Xavier Pauchard

## Product specifications



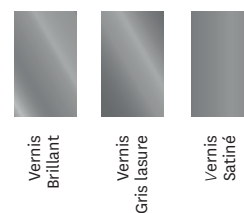
<b>Designer</b>	Xavier Pauchard
<b>Use</b>	<b>TOLIX®</b> maison
<b>Material</b>	Steel
<b>Finishes / Colors</b>	Available in the colors and finishes of the color charts ESSENTIELS, TENDANCES and BRUT VERNIS
<b>Weight</b>	6.3 kg



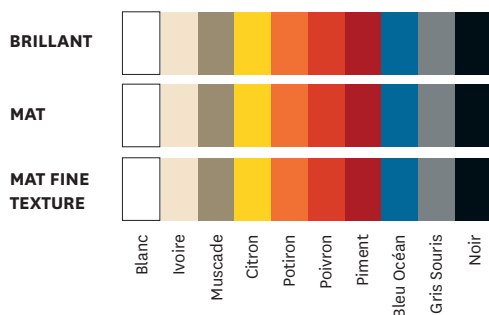
### Dimensions

LENGTH	55 cm
DEPTH	57.5 cm
HEIGHT	73.5 cm
SEAT HEIGHT	43 cm
SEAT DEPTH	35 cm
SEAT WIDTH	39 cm
ARMREST LENGTH	30 cm
ARMREST HEIGHT	70 cm

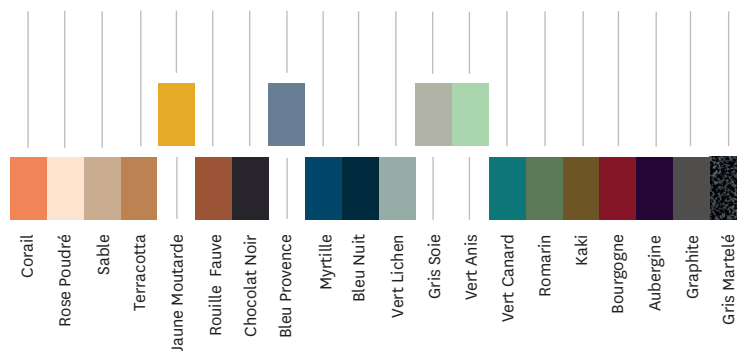
### Tolix® Brut Vernis



### Tolix® Essentiels



### Tolix® Tendances



**TOLIX®**