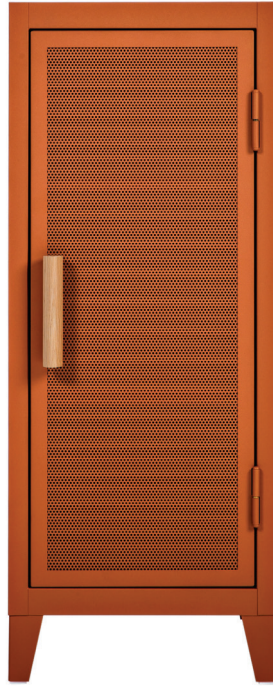


Vestiaire B1 Bas perforé^{*}

Designed by Xavier Pauchard, revisited by Chantal Andriot



**Low Perforated B1 Locker*

TOLIX® has renewed its Lockers with Perforated Lockers. These models bring to mind the memory of the industrial world's raw esthetics, while adding modern and refined details. The perforated steel doors subtly hint at the contents placed inside. Raw steel is offset by the elegant and natural oak handle. The product comes with two height-adjustable shelves, and a set of two more shelves (sold separately) can also be added. Perforated Lockers exist in one- and two-door tall versions (Perforated B1 Tall, Perforated B2 Tall), and in low versions with one, two or three doors (Perforated B1 Low, Perforated B2 Low and Perforated B3 Low). Order any of the Lockers in any of the colors and finishes in the ESSENTIELS and TENDANCES color charts.

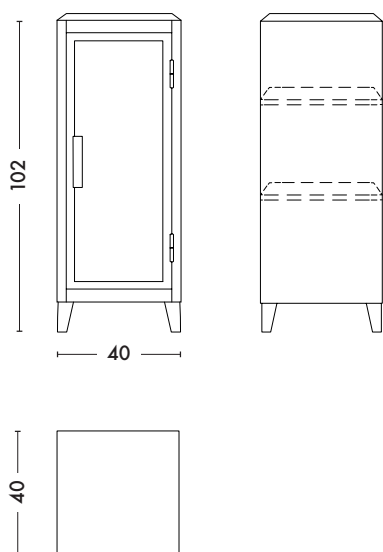
- Historical piece of the TOLIX® collection, in a lower and perforated version
- Available in the color charts ESSENTIELS et TENDANCES
- Contains 2 short shelves adjustable
- Possibility of buying a pair of 2 extra shelves

TOLIX®

Vestiaire B1 Bas perforé

Designed by Xavier Pauchard, revisited by Chantal Andriot

Product specifications



Designer	Xavier Pauchard, revisited by Chantal Andriot
Use	TOLIX® maison
Material	Steel and Oak
Finishes / Colors	Available in the colors and finishes of the color charts ESSENTIELS and TENDANCES
Weight	21.0 kg
	2 shelves included. Extra set of 2 or 4 shelves are available.



Dimensions

LENGTH	40 cm
DEPTH	40 cm
HEIGHT	102 cm

Tolix® Essentiels

BRILLANT										
MAT										
MAT FINE TEXTURE										
	Blanc	Ivoire	Muscade	Citron	Potiron	Poivron	Piment	Bleu Océan	Gris Souris	Noir

Tolix® Tendances

Corail	Rose Poudré	Sable	Terracotta	Jaune Moutarde	Rouille Fauve	Chocolat Noir	Bleu Provence	Myrtille	Bleu Nuit	Vert Lichen	Gris Soie	Vert Anis	Vert Canard	Romarin	Kaki	Bourgogne	Aubergine	Graphite	Gris Martelé

TOLIX®