

Table 55^{*}

Designed by Jean Pauchard

*55 Table



The 55 Table established itself during the 1930s as the solidly resistant yet lightweight table. Its pared back esthetics and highly functional design opened a prestigious path to success: it flourished on café terraces before becoming a part of home interiors in the 1950s. Recognizable thanks to its tapered and cone-shaped, 100% steel legs, the 55 Table has travelled through the years and is still a design reference for its timeless elegance. It comes in all the colors and finishes from the TOLIX[®] ESSENTIELS, TENDANCES and BRUT VERNIS color charts. The TOLIX[®] MAISON dual material version has oak legs for use inside, and the TOLIX[®] OUTDOOR version has Iroko legs for outdoor use.

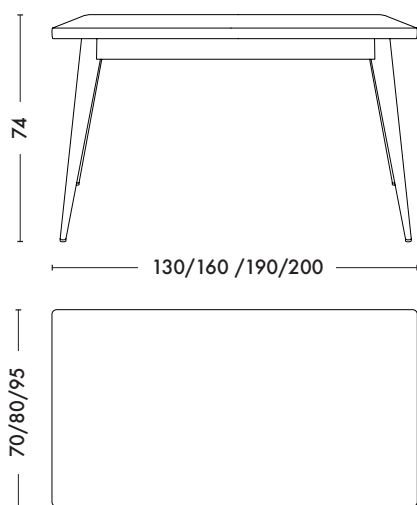
- Available in the color charts ESSENTIELS, TENDANCES and BRUT VERNIS
- Available in 5 different lengths and custom made

TOLIX[®]

Table 55

Designed by Jean Pauchard

Product specifications



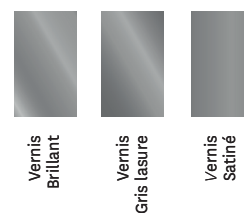
Designer	Jean Pauchard
Use	TOLIX® maison
Material	Steel
Finishes / Colors	Available in the colors and finishes of the color charts ESSENTIELS, TENDANCES and BRUT VERNIS



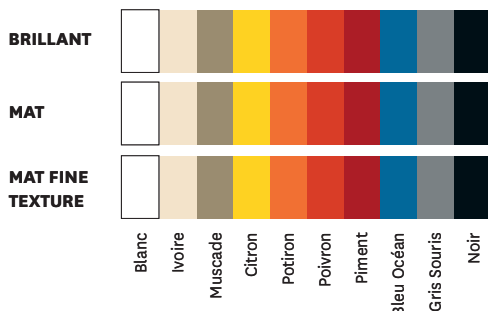
Dimensions	Table 55 70	Table 55 130	Table 55 160	Table 55 190	Table 55 200	CUSTOM MADE
LENGTH	70 cm	130 cm	160 cm	190 cm	200 cm	max. 240 cm
WIDTH	70 cm	70 cm	70 cm	80 cm	95 cm	max. 115 cm
HEIGHT	74 cm	74 cm	74 cm	74 cm	74 cm	74 cm
WEIGHT	15,5 kg	25,8 kg	29,3 kg	32 kg	36 kg	



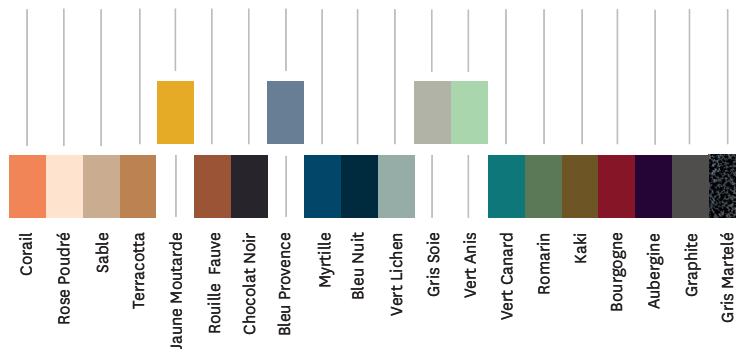
Tolix® Brut Vernis



Tolix® Essentiels



Tolix® Tendances



TOLIX®