

Chaise T37*

Designed by Xavier Pauchard



*T37 chair

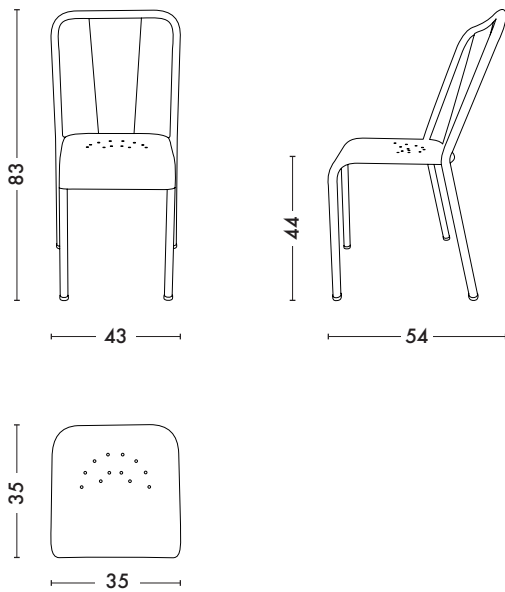
Created in 1937 by Xavier Pauchard and named after the same year, the T37 Chair is still a bestseller in the design world. Restrained and classic, the T37 hasn't aged a day and remains a reference in industrial design in its varnished metal finish. Dress it up with one of the colors from the TOLIX® ESSENTIELS, TENDANCES or BRUT VERNIS color charts, and it will add a touch of originality to any type of interior.

- Historical piece of the TOLIX® collection
- Available in the color charts ESSENTIELS, TENDANCES and BRUT VERNIS

Chaise T37

Designed by Xavier Pauchard

Product specifications



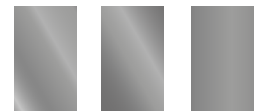
	Steel version	Stainless steel version
Designer	Xavier Pauchard	Xavier Pauchard
Uses	TOLIX® maison	TOLIX® outdoor
Material	Steel	Stainless steel
Finishes / Colors	Available in the colors and finishes of the color charts ESSENTIELS, TENDANCES and BRUT VERNIS	
Weight	5.2 kg	5.2 kg



Dimensions

LENGTH	43 cm
DEPTH	54 cm
HEIGHT	83 cm
SEAT HEIGHT	44 cm
SEAT DEPTH	35 cm
SEAT WIDTH	35 cm

Tolix® Brut Vernis

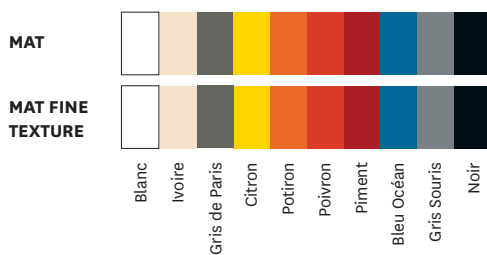


Vernis
Brillant

Vernis
Gris lasure

Vernis
Satiné

Tolix® Essentiels



Tolix® Tendances

