

Tabourets H perforés Grand Dossier*

Designed by Tolix®



*perforated H stool with backrest

An icon of industrial esthetics for almost a century, TOLIX®'s H Stool has travelled through periods and styles and become a classic in its own right. Etched in the collective memory, it is a «living heritage» that illustrates the French art of living. Chantal Andriot conceived this perforated version in 2004, adding a more contemporary style to the H Stool. The light flashing through the metal gives a gently refined latticed appearance. The H Stool is available in eight different heights that change every 5cm, from 45 to 80cm. Add a TOLIX® cushion for even greater comfort.

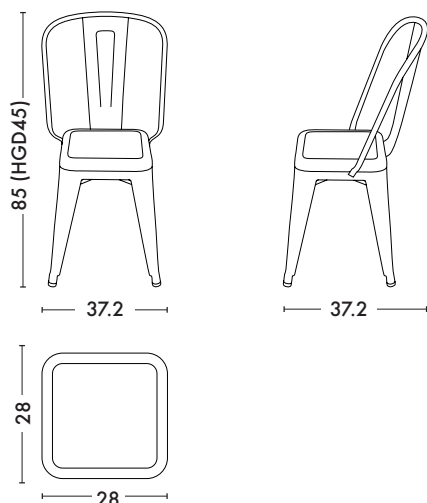
- Historical piece of the TOLIX® collection with a backrest
- Available in the color charts ESSENTIELS and TENDANCES
- Available in eight different sizes
- The «Tabourets H» have footrests from the size H60 to H80

TOLIX®

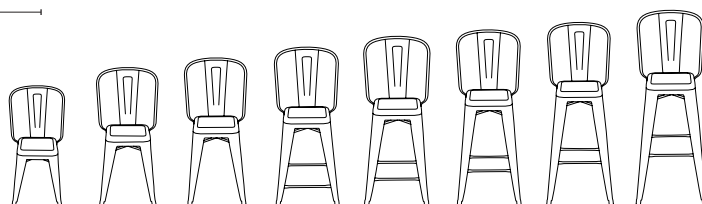
Tabourets H perforés Grand Dossier

Designed by Tolix®

Product specifications

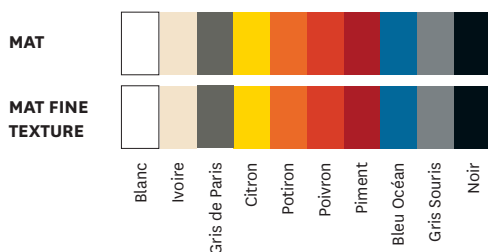


Designer	TOLIX®
Uses	TOLIX® maison
Material	Perforated steel
Finishes/ Colors	Available in the colors and finishes of the color charts ESSENTIELS, TENDANCES and BRUT VERNIS

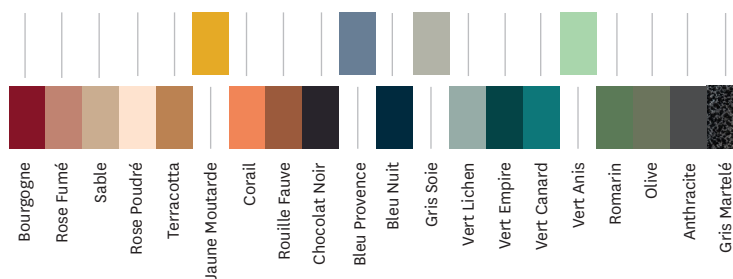


Dimensions	HGD45	HGD50	HGD55	HGD60	HGD65	HGD70	HGD75	HGD80
HEIGHT	85 cm	92 cm	95 cm	100 cm	107 cm	110 cm	115 cm	120 cm
LENGTH	37.2 cm	38 cm	39.3 cm	39.2 cm	40 cm	42 cm	43.5 cm	45 cm
DEPTH	37.2 cm	38 cm	39.3 cm	39.2 cm	40 cm	42 cm	43.5 cm	45 cm
WEIGHT	4.0 kg	4.3 kg	4.6 kg	5.3 kg	5.6 kg	5.9 kg	6.2 kg	6.5 kg

Tolix® Essentiels



Tolix® Tendances



TOLIX®