

# Guéridon 77 - Rond plateau basculant - H110

*Designed by Chantal Andriot*



\*77 Tilting Round Pedestal Table

***Ideal for setting up a fast-food area, the 77 pedestral table - height 110 cm, is the high table recommended for professionals. Made of steel (stainless steel), it can be used both indoors and outdoors. Its tilting system developed by TOLIX® is also made of stainless steel, which gives it resistance and solidity against many manipulations. The 77 pedestral table has been designed so that it can be stored easily and quickly in a minimum of space (built-in leg). Available in all the colors and finishes from the TOLIX® ESSENTIELS, TENDANCES and BRUT VERNIS color charts.***

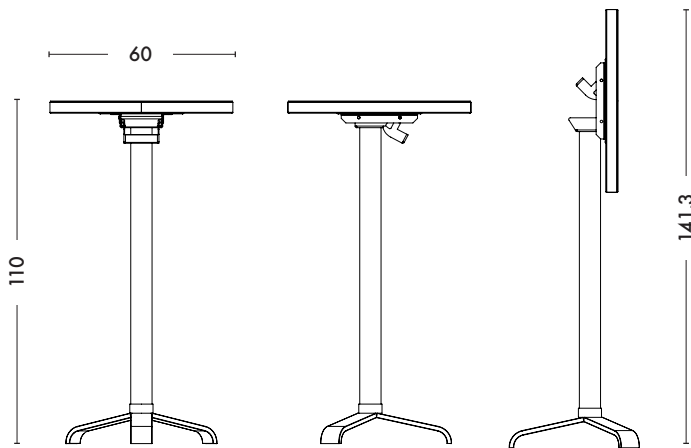
- Robust and easy to handle rocker system
- Stainless steel design
- Available in the color charts ESSENTIELS, TENDANCES and BRUT VERNIS
- Available in square table top version

**TOLIX®**

# Guéridon 77 - Rond plateau basculant - H110

Designed by Chantal Andriot

## Product specifications



<b>Designer</b>	Chantal Andriot
<b>Uses</b>	<b>TOLIX®</b> outdoor
<b>Materials</b>	Inox
<b>Finishes / Colors</b>	Available in the colors and finishes of the color charts ESSENTIELS, TENDANCES and BRUT VERNIS



Dimensions	Guéridon 77 plateau basculant Height 110 - Ø60
DIAMETER	60 cm
HEIGHT	110 cm
HEIGHT (Folded table top)	141,3 cm
WEIGHT	18,5 kg



### Tolix® Brut Vernis

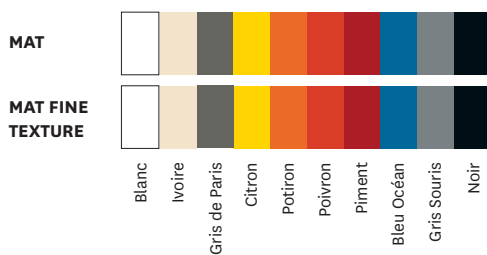


Vernis  
Brillant

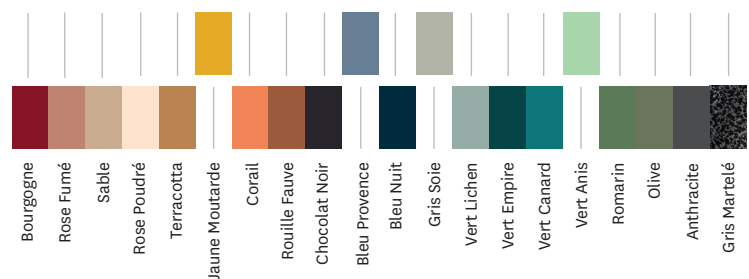
Vernis  
Gris lasure

Vernis  
Satiné

### Tolix® Essentiels



### Tolix® Tendances



**TOLIX®**