

# Console 55<sup>\*</sup>

Designed by Tolix®

\*55 Console



***The 55 Console is the incarnation of the modern style found from the 1930s through to the 1950s. The table has kept all the features that made the collection successful: tapered and cone-shaped legs that give the silhouette finesse and lightness. Conceived in 100% steel and in an artisanal way, the 55 Console is characterized by its robustness. Available in all the colors and finishes from the TOLIX® ESSENTIALS and TRENDS color charts, it is at home in all styles of interior and in all rooms of a house. The 55 Console also comes with a drawer.***

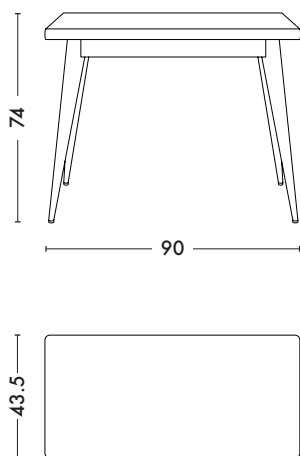
- Available in the color charts ESSENTIELS, TENDANCES and BRUT VERNIS
- Exist in a version with drawer

**TOLIX®**

# Console 55

Designed by Tolix®

## Product specifications



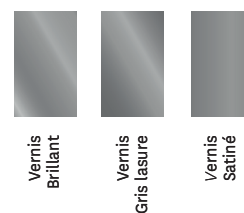
<b>Designer</b>	TOLIX®
<b>Use</b>	<b>TOLIX®</b> maison
<b>Material</b>	Steel
<b>Finishes / Colors</b>	Available in the colors and finishes of the color charts ESSENTIELS, TENDANCES and BRUT VERNIS



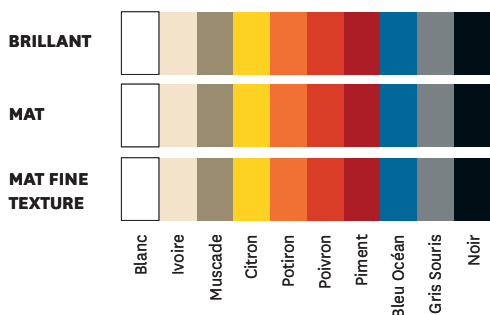
### Dimensions

LENGTH/DIAMETER	90 cm
WIDTH/DIAMETER	43.5 cm
HEIGHT	74 cm
WEIGHT	15 kg

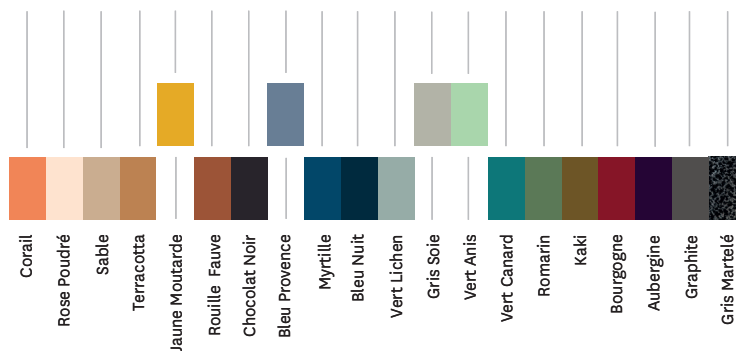
### Tolix® Brut Vernis



### Tolix® Essentiels



### Tolix® Tendances



**TOLIX®**