

Étagère double coulissante XL

Designed by Sebastian Bergne Ltd.

*Sliding Double Shelf



The Sliding Shelf designed by Sebastian Bergne is very clever. Designed from 2 aluminum trays that slide in one another, the shelf could be expanded by a simple slip while remaining attached to the wall. On this XL version, the Sliding Shelf is deeper and higher to welcome 21 x 29.7 cm (A4) size books.

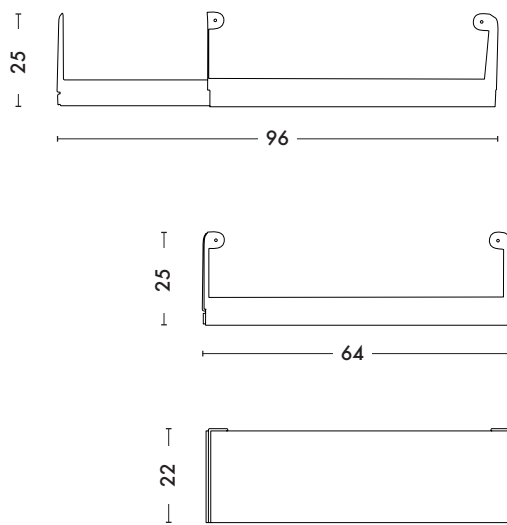
The fixed tray and the sliding tray can be independently selected in Mat and Mat Fine Texture finishes from our ESSENTIELS and TENDANCES color charts for a personalized Mix & Match!

- Expanded from 64 up to 96 cm
- Welcome A4 books
- Available in ESSENTIELS and TENDANCES color charts (but Brut Vernis)

Étagère double coulissante XL

Designed by Sebastian Bergne Ltd.

Product specifications



Designer	Sebastian Bergne Ltd.
Use	TOLIX® maison
Material	Aluminum
Finishes / Colors	Available in the colors and finishes of the color charts ESSENTIELS and TENDANCES
Max load capacity	15 kg (fixed part) 5 kg (Sliding part)
Weight	2.7 kg



Dimensions

LENGTH	64/96 cm
DEPTH	22 cm
HEIGHT	25 cm

Tolix® Essentiels

BRILLANT										
MAT										
MAT FINE TEXTURE										
	Blanc	Ivoire	Muscade	Citron	Potiron	Poivron	Piment	Bleu Océan	Gris Souris	Noir

Tolix® Tendances

Corail	Rose Poudré	Sable	Terracotta	Jaune Moutarde	Rouille Fauve	Chocolat Noir	Bleu Provence	Myrtille	Bleu Nuit	Vert Lichen	Gris Soie	Vert Anis	Vert Canard	Romarin	Kaki	Bourgogne	Aubergine	Graphite	Gris Martelé