

Chaise T37 perforée *

Designed by Xavier Pauchard, revisited by Chantal Andriot



*perforated T37 chair

Created in 1937 by Xavier Pauchard and named after the same year, the T37 Chair is still a bestseller in industrial design. With its restrained and classic look, the T37 hasn't aged a day and remains a reference in industrial design. This perforated version makes the T37 Chair lighter and more modern.

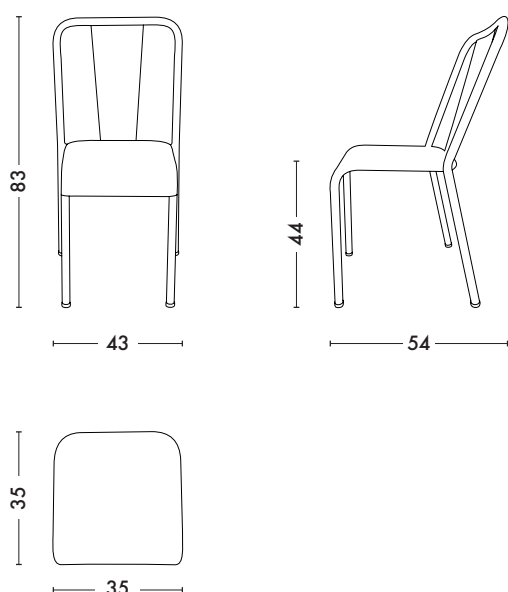
- Historical piece of the TOLIX® collection
- Available in the color charts ESSENTIELS, TENDANCES and BRUT VERNIS

TOLIX®

Chaise T37 perforée

Designed by Xavier Pauchard, revisited by Chantal Andriot

Product specifications



Dimensions

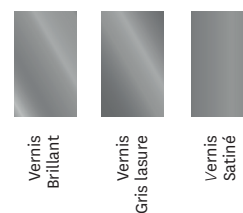
LENGTH	43 cm
DEPTH	54 cm
HEIGHT	83 cm
SEAT HEIGHT	44 cm
SEAT DEPTH	35 cm
SEAT WIDTH	35 cm

	Steel version	Stainless steel version
Designer	Xavier Pauchard Revisited by Chantal Andriot	
Uses	TOLIX® maison	TOLIX® outdoor
Material	Steel	Stainless steel
Finishes / Colors	Available in the colors and finishes of the color charts ESSENTIELS, TENDANCES	Available in the colors and finishes of the color charts ESSENTIELS, TENDANCES and BRUT VERNIS
Weight	5.0 kg	5.0 kg

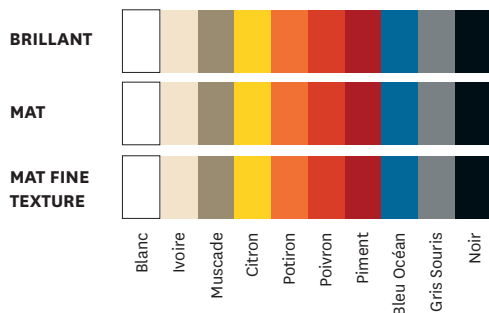


Tolix® Brut Vernis

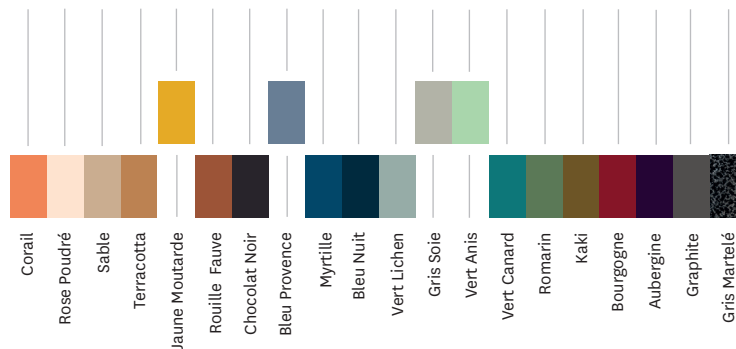
Only in stainless steel version



Tolix® Essentiels



Tolix® Tendances



TOLIX®