

Serre-livres Pop*

Designed by Normal Studio

*Pop Bookends



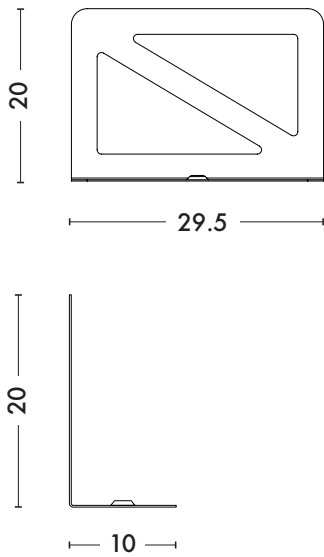
Normal Studio has developed for the Pop Shelves, Pop Bookends. Designed in steel, they have two magnets to stay fixed on the steel structure and thus support many books. POP shelves are available in lengths of 45 cm and 90 cm with a height of 56 cm or 92 cm.

• Available in the color charts ESSENTIELS and TENDANCES

Serre-livres Pop

Designed by Normal Studio

Product specifications



Designer	Normal Studio
Use	TOLIX® maison
Materials	Steel and magnet
Finishes / Colors	Available in the colors and finishes of the color charts ESSENTIELS and TENDANCES
Weight	0.7 kg



Dimensions

LENGTH	29.5 cm
DEPTH	10.0 cm
HEIGHT	20.0 cm

Tolix® Essentiels

BRILLANT										
MAT										
MAT FINE TEXTURE										
	Blanc	Ivoire	Muscade	Citron	Potiron	Poivron	Piment	Bleu Océan	Gris Souris	Noir

Tolix® Tendances

Corail	Rose Poudré	Sable	Terracotta	Jaune Moutarde	Rouille Fauve	Chocolat Noir	Bleu Provence	Myrtille	Bleu Nuit	Vert Lichen	Gris Soie	Vert Anis	Vert Canard	Romarin	Kaki	Bourgogne	Aubergine	Graphite	Gris Martelé