

Guéridon N^{*} mange debout

Designed by Patrick Norguet

*N Pedestal Table



Created in 2013, the N Pedestal Table is the practical and robust table for bistros.

«For this collaboration with TOLIX[®], I conceived the N Pedestal table, a new family of tables in answer to restaurateurs' needs. TOLIX[®]'s first ever folding table, the N Pedestal table with its tilting top can be moved around and put away easily. It captures TOLIX[®]'s taste for sound models that are functional and obvious in their use. It can be used with chairs, but it was created with the new T14 Chair in mind: an elegant TOLIX[®] duo, fully coherent for terraces around the world.» Patrick Norguet, Designer Made from stainless steel, the N Pedestal table can be used outside. It is available in both normal height and tall versions, and comes in all the colors and finishes from the TOLIX[®] ESSENTIELS, TENDANCES and BRUT VERNIS color charts.

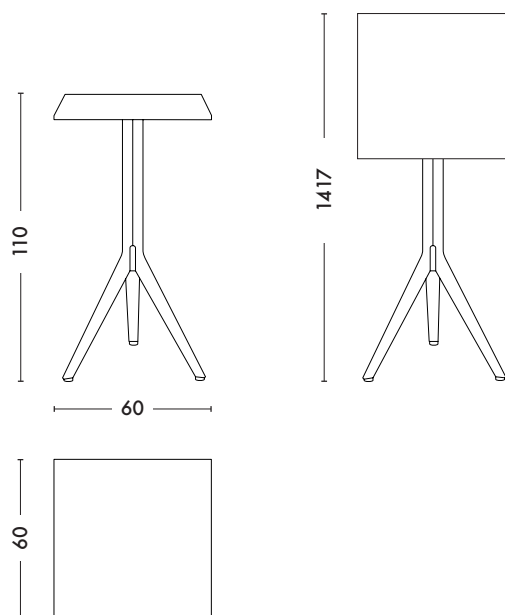
- Available in the color charts ESSENTIELS, TENDANCES and BRUT VERNIS
- Available in standard height version (Cf. Guéridon N data sheet)

TOLIX[®]

Guéridon N mange debout

Designed by Patrick Norguet

Product specifications

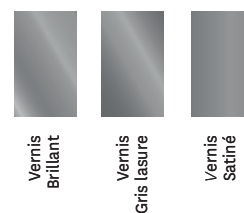


Designer	Patrick Norguet
Use	TOLIX® outdoor
Material	Stainless steel
Finishes / Colors	Available in the colors and finishes of the color charts ESSENTIELS, TENDANCES and BRUT VERNIS

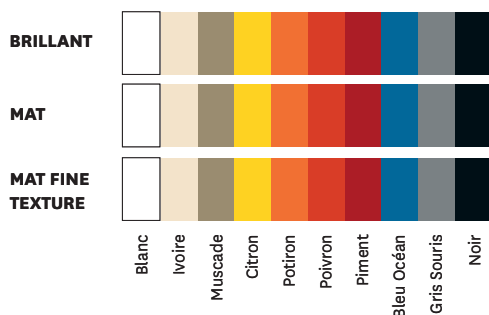


Dimensions	Guéridon N «high bar table»
LENGTH	60 cm
WIDTH	60 cm
HEIGHT	110 cm
HEIGHT (folded)	141,7 cm
POIDS	13 kg

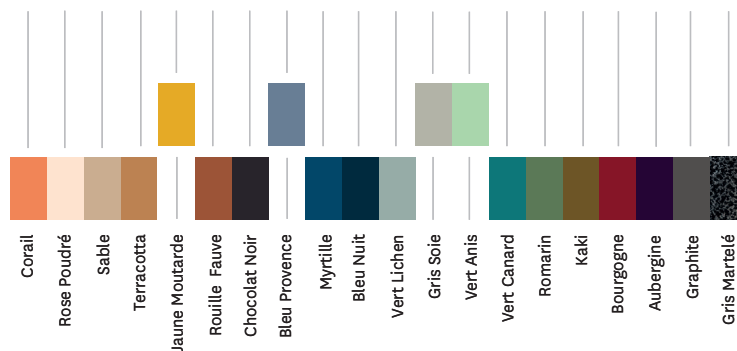
Tolix® Brut Vernis



Tolix® Essentiels



Tolix® Tendances



TOLIX®