

Table Kub ronde *

Designed by Xavier Pauchard

*Kub Table



Designed by Xavier Pauchard in 1938, the Kub Table is one of TOLIX®'s most iconic models. Instantly recognizable thanks to its shape, it is a result of TOLIX®'s expertise in metal stamping and folding. Lovers of the styles from the 1930s through to the 1950s can customize it with the color or finish of their choice from any of the ESSENTIELS, TENDANCES and BRUT VERNIS color charts. In this stainless steel version, the Kub Table weathers a TOLIX® OUTDOOR use. The Kub Table is also available in a steel version for use inside.

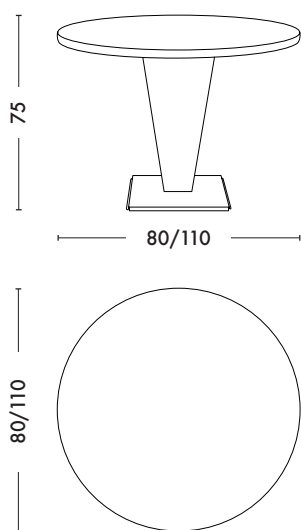
- Available in the color charts ESSENTIELS, TENDANCES and BRUT VERNIS
- Available in a square version

TOLIX®

Table Kub ronde

Designed by Xavier Pauchard

Product specifications



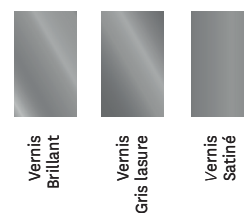
	Steel Version	Stainless steel Version
Designer	Xavier Pauchard	Xavier Pauchard
Uses	TOLIX maison	TOLIX outdoor
Materials	Steel	Stainless steel
Finishes / Colors	Available in the colors and finishes of the color charts ESSENTIELS, TENDANCES and BRUT VERNIS	



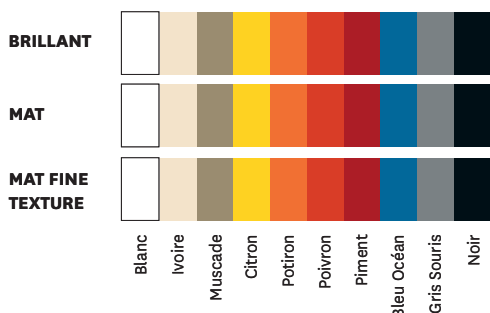
Dimensions	Table KUB - Ø80	Table KUB - Ø110
LENGTH/DIAMETER	80 cm	110 cm
WIDTH/DIAMETER	80 cm	110 cm
HEIGHT	75 cm	75 cm
WEIGHT	18,01 kg	26,83



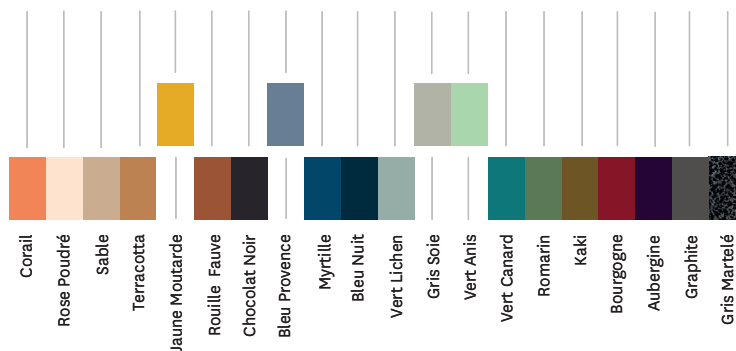
Tolix® Brut Vernis



Tolix® Essentiels



Tolix® Tendances



TOLIX®