

Tabourets H Petit Dossier^{*}

Designed by Tolix[®]



^{*}H stool with small backrest

An icon of industrial esthetics for almost a century, TOLIX[®]'s H Stool has travelled through periods and styles and become a classic in its own right. Etched in the collective memory, it is a «living heritage» that illustrates the French art of living. For the «low back» HPD version, the stool includes a small back that supports the lumbar region. Thanks to the wide range of heights that change every 5cm, from 45 to 80cm, the HPD Stool is at home around a standard height table, at a bar, next to a kitchen island, etc... A TOLIX[®] cushion only increases comfort even more. HPD Stools are also available in a perforated version.

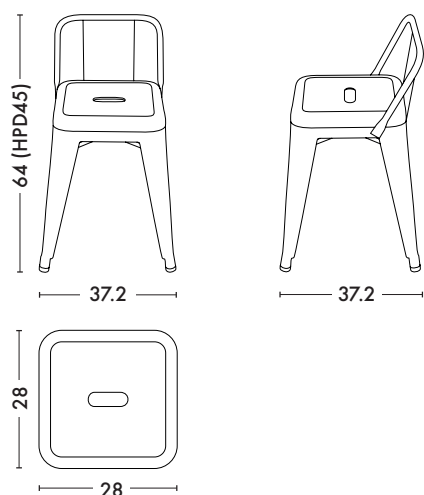
- Historical piece of the TOLIX[®] collection with a small backrest
- Available in the color charts ESSENTIELS, TENDANCES and BRUT VERNIS
- Available in eight different sizes
- The «Tabourets H» have footrests from the size H60 to H80

TOLIX[®]

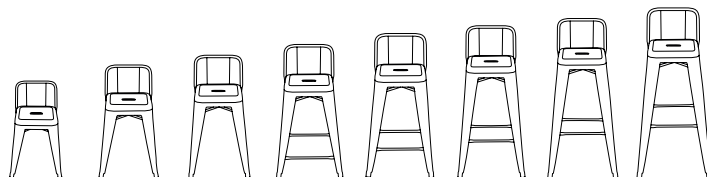
Tabourets H Petit Dossier

Designed by Tolix®

Product specifications

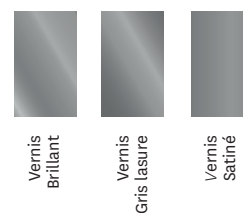


Designer	TOLIX®	TOLIX®
Uses	TOLIX® maison	TOLIX® outdoor
Materials	Steel	Steel with cathaphoresis treatment
Finishes / Colors	Available in the colors and finishes of the color charts ESSENTIELS, TENDANCES and BRUT VERNIS	

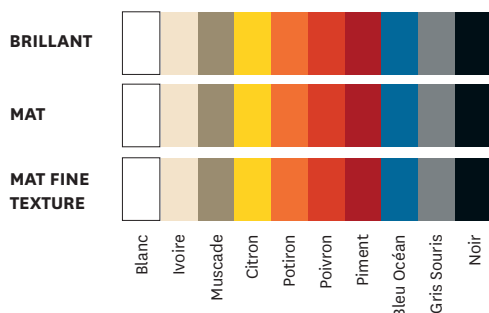


Dimensions	HPD45	HPD50	HPD55	HPD60	HPD65	HPD70	HPD75	HPD80
HEIGHT	64 cm	69 cm	74 cm	79 cm	84 cm	89 cm	94 cm	99 cm
LENGTH	37.2 cm	38 cm	40 cm	39.2 cm	40 cm	42 cm	43.5 cm	45 cm
DEPTH	37.2 cm	38 cm	40 cm	39.2 cm	40 cm	42 cm	43.5 cm	45 cm
WEIGHT	4.3 kg	4.5 kg	4.8 kg	5.7 kg	5.9 kg	6.0 kg	6.2 kg	6.4 kg

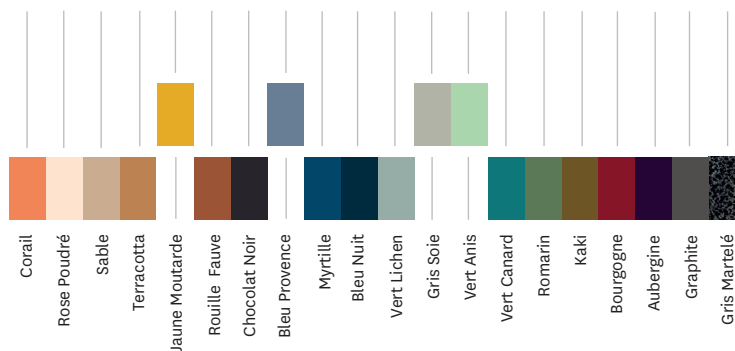
Tolix® Brut Vernis



Tolix® Essentiels



Tolix® Tendances



TOLIX®