

Vestiaire B1 Bas*

Designed by Xavier Pauchard, revisited by Chantal Andriot



*Low B1 Locker

The Locker is one of TOLIX®'s historical pieces of furniture. Created in the early 1930s by Xavier Pauchard, the Locker was meant at first for storing work clothes. For long years it served the French postal service and Army. In this short version, it retains all of its by-gone charm, and is perfectly at ease in all rooms in a house. The product comes with two large height-adjustable shelves, and additional shelves are available in sets of two (sold separately). Tall Lockers with one or two doors are available, as well as low versions with one, two or three doors. Find lockers in all the colors and finishes of the ESSENTIELS, TENDANCES and BRUT VERNIS color charts.

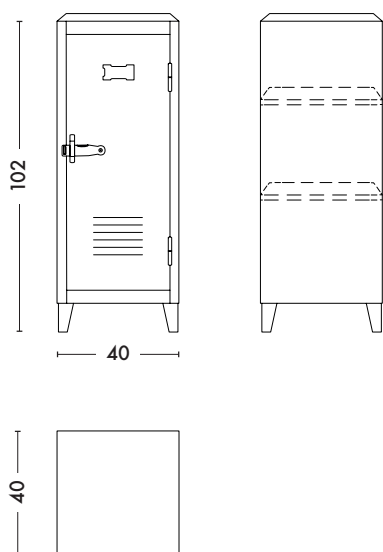
- Historical piece of the TOLIX® collection, in a lower version
- Available in the color charts ESSENTIELS, TENDANCES and BRUT VERNIS
- Contains 2 short shelves adjustable

TOLIX®

Vestiaire B1 Bas

Designed by Xavier Pauchard, revisited by Chantal Andriot

Product specifications



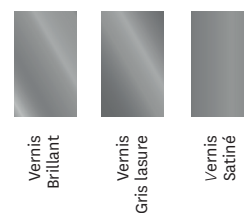
Designer	Xavier Pauchard Revisited by Chantal Andriot
Use	TOLIX® maison
Material	Steel
Finishes / Colors	Available in the colors and finishes of the color charts ESSENTIELS, TENDANCES and BRUT VERNIS
Weight	21.0 kg
	2 shelves included



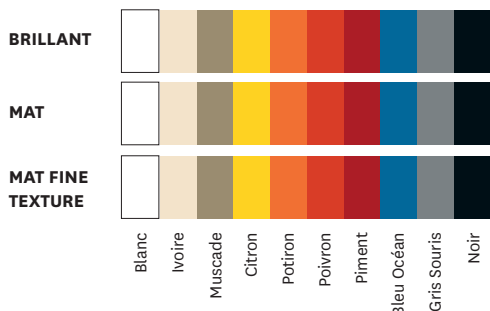
Dimensions

LENGTH	40 cm
DEPTH	40 cm
HEIGHT	102 cm

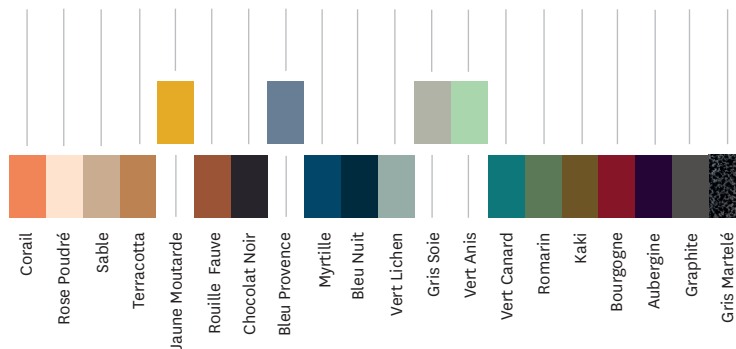
Tolix® Brut Vernis



Tolix® Essentiels



Tolix® Tendances



TOLIX®