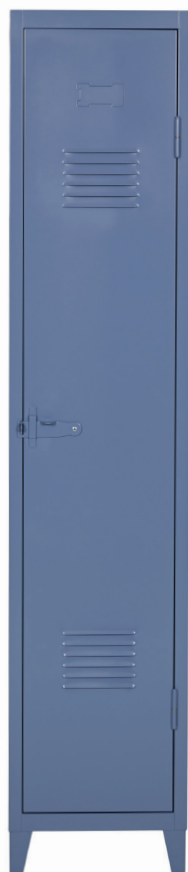


Vestiaire B1*

Designed by Xavier Pauchard



*B1 Locker

The Locker is one of TOLIX®'s first pieces of furniture. Created in the early 1930s by Xavier Pauchard, the Locker was meant at first for storing work clothes. For long years it served the French postal service and Army. In one- and two-door versions, TOLIX® also has a short version with one, two or three doors. It retains all of its by-gone charm, and is perfectly at ease in all rooms in a house. The B2 Lockers have a shelf and a clothes rod, and additional shelves are available in sets of two. Find lockers in all the colors and finishes of the ESSENTIELS, TENDANCES and BRUT VERNIS color charts.

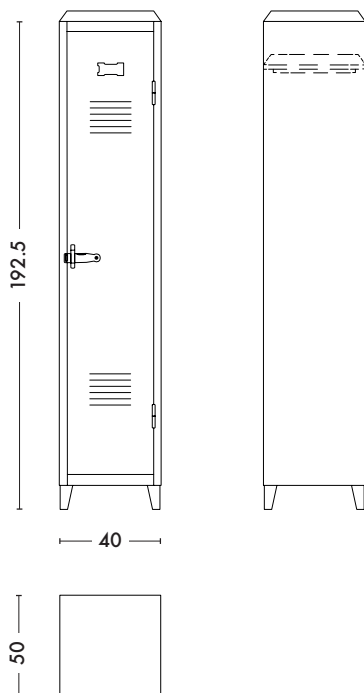
- Historical piece of the TOLIX® collection
- Available in the color charts ESSENTIELS, TENDANCES and BRUT VERNIS
- Contains 1 short shelf with wardrobe, adjustable
- Possibility of buying a pair of 2 ou 4 extra shelves

TOLIX®

Vestiaire B1

Designed by Xavier Pauchard

Product specifications



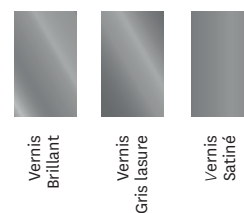
Dimensions

| | |
|--------|----------|
| LENGTH | 40 cm |
| DEPTH | 50 cm |
| HEIGHT | 192.5 cm |

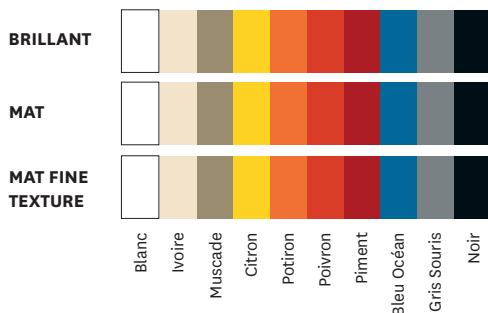
| | |
|--------------------------|--|
| Designer | Xavier Pauchard |
| Use | TOLIX® maison |
| Material | Steel |
| Finishes / Colors | Available in the colors and finishes of the color charts ESSENTIELS, TENDANCES and BRUT VERNIS |
| Weight | 30.0 kg |
| | One shelf and wardrobe included. Extra set of 2 or 4 shelves are available |



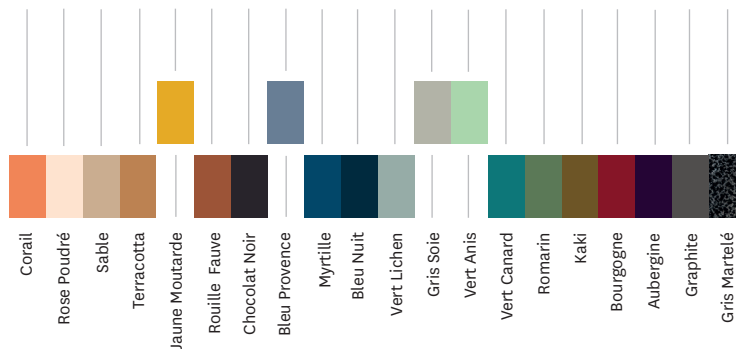
Tolix® Brut Vernis



Tolix® Essentiels



Tolix® Tendances



TOLIX®