

Meuble B1 perforé H64 ^{*}

Designed by TOLIX®

Door opening right



*Low Perforated B1 Locker

TOLIX® offers two new small furniture on top of its perforated range. The new perforated B1 H64 is made of a removable shelf. It will be perfect as bedside table or as a small piece of furniture in an entrance or a bathroom.

The B1 H64 is available in opening model on the right or on the left side. Available in all the colors of the ESSENTIAL and TRENDS color charts (but BRUT VERNI), it can also be made in bi-color (perforated door and differentiated structure).

- NEW PRODUCT 2018
- Available in ESSENTIELS and TENDANCES color charts
- Delivered with one removable and adjustable shelf
- Available opening to the right or left

TOLIX®

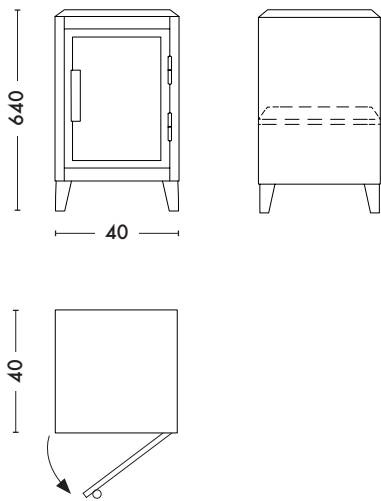
Meuble B1 perforé H64

Designed by TOLIX®

Door opening right

Copyright® TOLIX® France

Product specifications



Dimensions

LENGTH	40 cm
DEPTH	40 cm
HEIGHT	64 cm

Designer	TOLIX
Use	TOLIX® maison
Material	Steel or Steel and Oak
Finishes / Colors	Available in the colors and finishes of the color charts ESSENTIELS and TENDANCES
Weight	13.0 kg
	One shelf included



Product references

	STEEL HANDLE	WOOD HANDLE
Monocolor	Ref. 06158	Ref. 06185
Bicolor (structure / door)	Ref. 06164	Ref. 06189

Tolix® Essentiels

	Blanc	Ivoire	Muscade	Citron	Potiron	Poivron	Piment	Bleu Océan	Gris Souris	Noir
BRILLANT										
MAT										
MAT FINE TEXTURE										

Tolix® Tendances

Corail	Rose Poudré	Sable	Terracotta	Jaune Moutarde	Rouille Fauve	Chocolat Noir	Bleu Provence	Myrtille	Bleu Nuit	Vert Lichen	Gris Soie	Vert Anis	Vert Canard	Romarin	Kaki	Bourgogne	Aubergine	Graphite	Gris Martelé
--------	-------------	-------	------------	----------------	---------------	---------------	---------------	----------	-----------	-------------	-----------	-----------	-------------	---------	------	-----------	-----------	----------	--------------

TOLIX®