

# Meuble B1 perforé H45 \*

Designed by TOLIX®

**Door opening right**

\*B1 H45 Perforated B1 Locker



**TOLIX® offers two new small furniture on top of its perforated range. The new B1 perforated H45 with its cubic form can be housed in every nook. Dressed in a POP or FLASHY color, it will fit very small spaces like student rooms or studios. The possibility of having an opening to the right or left side makes it suitable as bedside table for a low bed. The perforated B1 H45 is available in bi-color (perforated door and differentiated structure). Available in all ESSENTIAL color and TREND colors (but BRUT VERNI).**

- NEW PRODUCT 2018
- Available in ESSENTIELS and TENDANCES color charts
- Available opening to the right or left

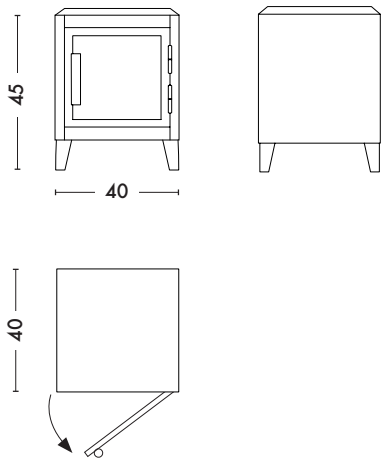
**TOLIX®**

# Meuble B1 perforé H45

Designed by TOLIX®

Door opening right

## Product specifications



### Dimensions

LENGTH	40 cm
DEPTH	40 cm
HEIGHT	45 cm

Designer	TOLIX
Use	<b>TOLIX®</b> maison
Material	Steel or Steel and Oak
Finishes / Colors	Available in the colors and finishes of the color charts ESSENTIELS and TENDANCES
Weight	8.5 kg



### Product references

	STEEL HANDLE	WOOD HANDLE
Monocolor	<b>Ref. 06161</b>	<b>Ref. 06253</b>
Bicolor (structure / door)	<b>Ref. 06166</b>	<b>Ref. 06254</b>

### Tolix® Essentiels

	Blanc	Ivoire	Muscade	Citron	Potiron	Poivron	Piment	Bleu Océan	Gris Souris	Noir
BRILLANT										
MAT										
MAT FINE TEXTURE										

### Tolix® Tendances

Corail	Rose Poudré	Sable	Terracotta	Jaune Moutarde	Rouille Fauve	Chocolat Noir	Bleu Provence	Myrtille	Bleu Nuit	Vert Lichen	Gris Soie	Vert Anis	Vert Canard	Romarin	Kaki	Bourgogne	Aubergine	Graphite	Gris Martelé
--------	-------------	-------	------------	----------------	---------------	---------------	---------------	----------	-----------	-------------	-----------	-----------	-------------	---------	------	-----------	-----------	----------	--------------

**TOLIX®**